



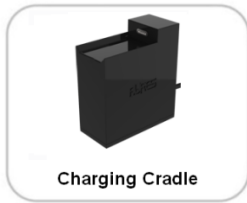
Universal 2D Bluetooth Scanner

PS-400

Quickstart Guide



PS-400



Charging Cradle



BT Dongle (inside the Cradle)



Quickstart Guide

Rel. 1.0 Jul20

Pairing Scanner Procedures

Step 1 : Connect the Cradle to the host computer via its USB cable

Step 2 : Activate the scanner

To configure the scanner, press the Scan button and point the scanner at below code to set the scanner to the Bluetooth-HID (keyboard) mode. The scanner will beep three times quickly and the LED will flash green when read correctly. The scanner mode is now set.



Step 3 : Language Setting (please hide the unused barcodes before scanning to improve its reading accuracy)

For French,



For German,



For English,



Step 4 : Set for automatic Bluetooth reconnection

Scan all below barcodes from top to bottom.

ZZ



CA99



ZZ

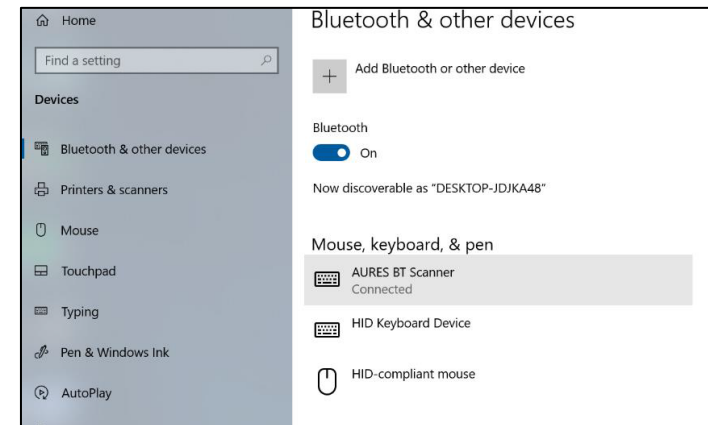


Step 5 : Select the AURES BT Scanner in Windows

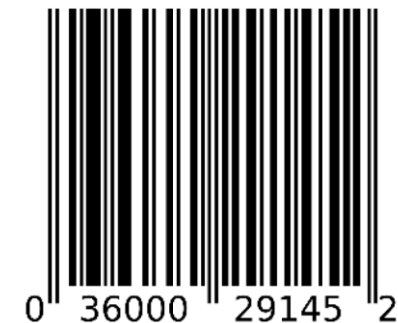
Press the Clear/Function button for about three seconds until the LED blinks blue. The scanner is now in the Bluetooth pair mode.

To connect the scanner to your computer using Bluetooth, use the following steps:

- (1) Open Settings.
- (2) Click on Devices.
- (3) Click on Bluetooth & other devices.
- (4) Turn on the Bluetooth toggle switch.
- (5) Click the Add Bluetooth or other device button to connect a new device.
- (6) Select the Bluetooth option.
- (7) Select the AURES BT Scanner.
- (8) The scanner will beep once when paired successfully. It will then show up on the list of devices in Windows.



To test if the scanner works, open the Windows Notepad and scan below UPC code for verification.

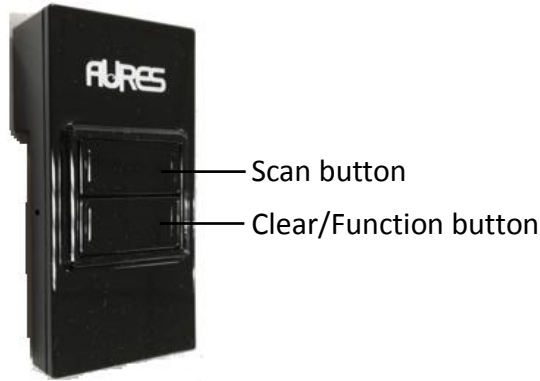




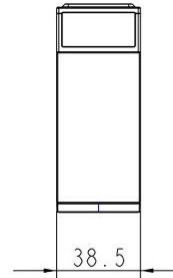
WEEE Notice

The WEEE mark applies only to countries within the European Union (EU) and Norway.

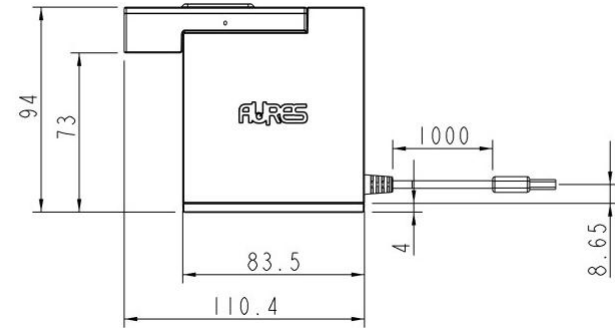
This appliance is labeled in accordance with European Directive 2002/96/EC concerning waste electrical and electronic equipment (WEEE). The Directive determines the framework for the return and recycling of used appliances as applicable throughout the European Union. This label is applied to various products to indicate that the product is not to be thrown away, but rather reclaimed upon end of life per this Directive.



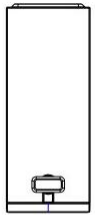
Front View



Side View



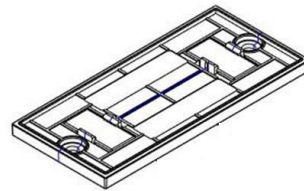
Rear View



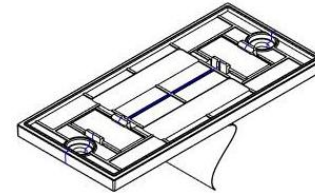
Basic installation procedures

Non-Metallic surface (e.g. wooden table)

Either
(1a) Directly place the Cradle on the desk without the plastic part if you don't want to fix it;

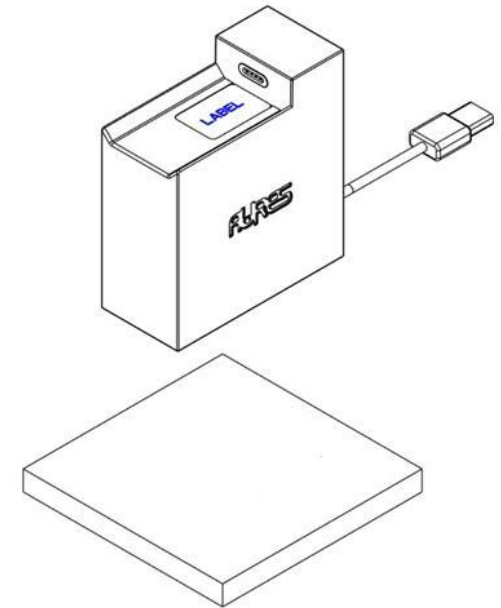


Or,
(1b) Tear off the Release Paper of the Double Side Tape being pre-glued at the bottom of Cradle Holder

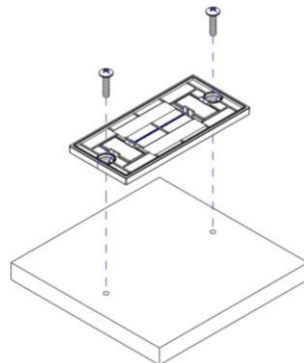


Metallic surface (e.g. Cash Drawer)

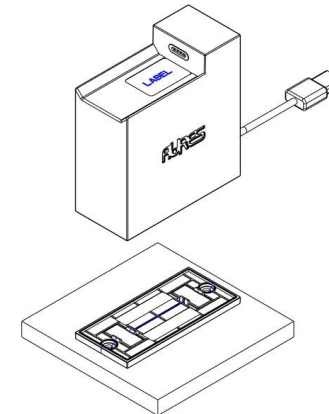
Simply locate the Cradle on top of the metallic surface and it will be self-attracted properly



Or
(1c) Fix tightly two pieces of included 5/32 screws with the Cradle Holder



(2) Secure the Cradle onto the Cradle Holder



Technical Support

The AURES Group thanks you for your loyalty.

To download our most recent drivers and utilities and obtain advice regarding the installation of your equipment, please visit the AURES Technical Support Website:

www.ares-support.com/en

FCC Compliance Statement (United States)

This device complies with part 15 of the FCC Rules. Operation is subject to the following two conditions: (1) This device may not cause harmful interference, and (2) this device must accept any interference received, including interference that may cause undesired operation.

FCC ID: 2AUQFXXXXX

